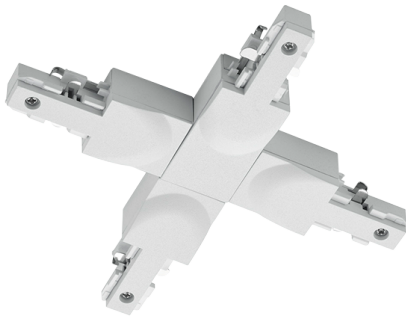


Product Data Sheet

X Connector - Matt White

Part No: 702431

- Connects two tracks together at right angles to each other
- Wall and ceiling mountable
- IP20
- Plastic



Technical Specification

Part No	702431
Finish	Matt White
IP Rating	20
Length	160
Width	20
Depth	170
Material / Made From	Metal

Unit of sale	1
Price	each
Notes	
EAN	4017807470598